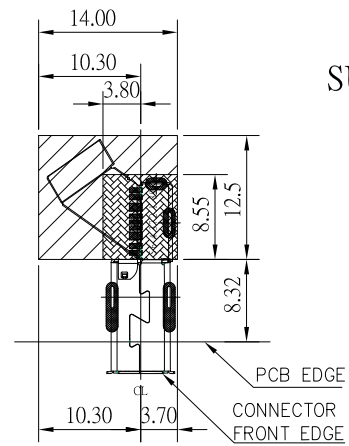
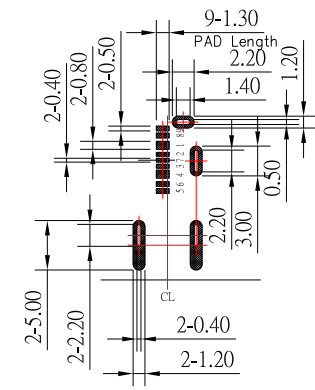
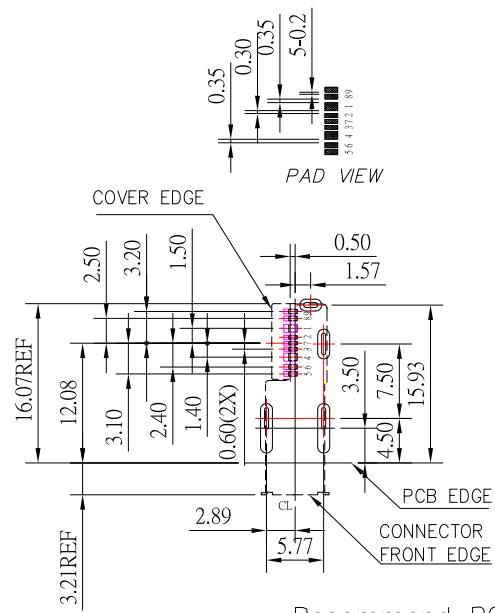
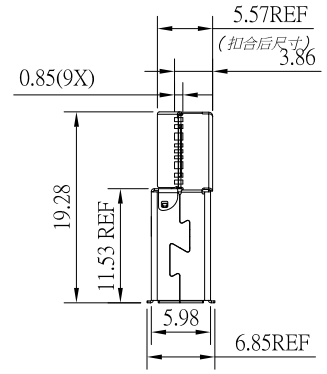




# SUA-110PS-32x-S277

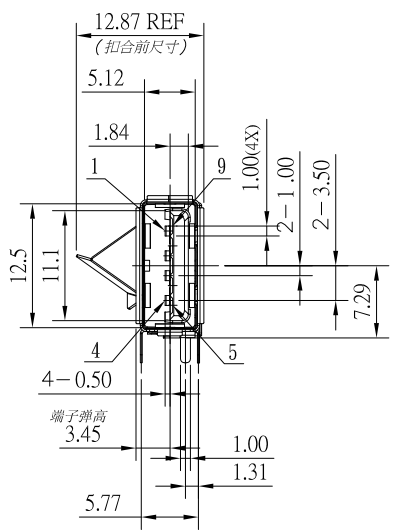
鍍層厚度:

Blank	1u"
2	15u"
3	30u"

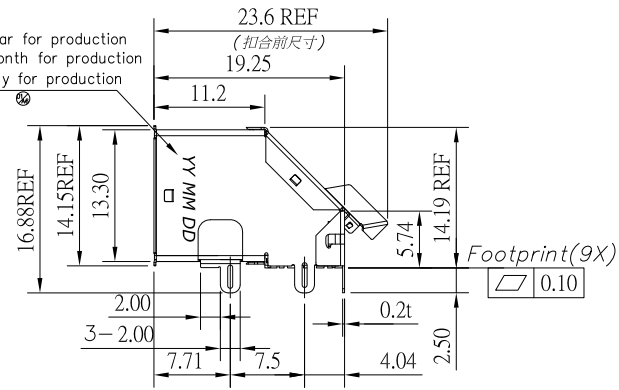


Recommend PCB Layout  
Top View

- ☐ 扣合前留空区
- ▨ 扣合后留空区
- 焊盘区



YY: Year for production  
MM: Month for production  
DD: Day for production



Pin No.	Signal Name
1	VBUS
2	D-
3	D+
4	GND
5	StdA_SSRX-
6	StdA_SSRX+
7	GND_DRAIN
8	StdA_SSTX-
9	StdA_SSTX+
Shell	Shield

NOTE:

- 1.MATERIAL:
  - 1.1 HOUSING: THERMAL PLASTIC , Blue .
  - 1.2 CONTACT: PHOSPHOR BRONZE.
  - 1.3 SHELL: SUS.
- 2.Finish:
  - 2.1 CONTACT: PLATED GOLD IN MATING AREA ;  
TIN PLATED ON SOLDER BALLS ;  
NICKEL UNDER PLATED OVERALL
  - 2.2 SHELL: NICKEL UNDER PLATED SURFACE LAYER
- 3.ELECTRICAL CHARACTERISTICS:
  - 3.1 CONTACTRESISTANCE: 30mΩ MAX ( for pin1& pin4 ) ,  
50mΩ MAX (for other contacts)
  - 3.2 RATING: 1.8 A , 5V
  - 3.3 DIELECTRIC WITHSTANDING VOLTAGE: 500 VDC
  - 3.4 INSULATION RESISTANCE 100 MΩ MIN
- 4.MECHANICAL CHARACTERISTICS:
  - 4.1 MATING FORCE: 35N MAX;
  - 4.2 UNMATING FORCE: 10N MIN;



TOLERANCE UNLESS OTHERWISE STATED:  
 Up to 5 ±0.2  
 Above 5 ~ 15 ±0.3  
 Above 15 ~ 30 ±0.4  
 Above 30 ~ 50 ±0.5  
 Angle ±0.3

3RD. ANGEL'S



UNITS MM

DRAWN BY:	DATE	MAT'L	TITLE	CONNECTOR
Jack Lu	11/30/21			
CHECKED BY:	DATE	FINISH	MODLE	USB A/F 短體立式 SMT GEN 2, 10G
Jacky Chen	11/30/21			
APPROVED BY:	DATE	SCALE	DWG NO.	SUA-110PS-32x-S277
Tony Kao	11/30/21	1 : 1	PART NO.	SUA-110PS-32x-S277
		SHEET NO.	1 of 1	
			SIZE	A4
			VER	R1

ITEM NO.	DESCRIPTION	DRAWN	DATE
1	調整尺寸標示位置	Jack	113021